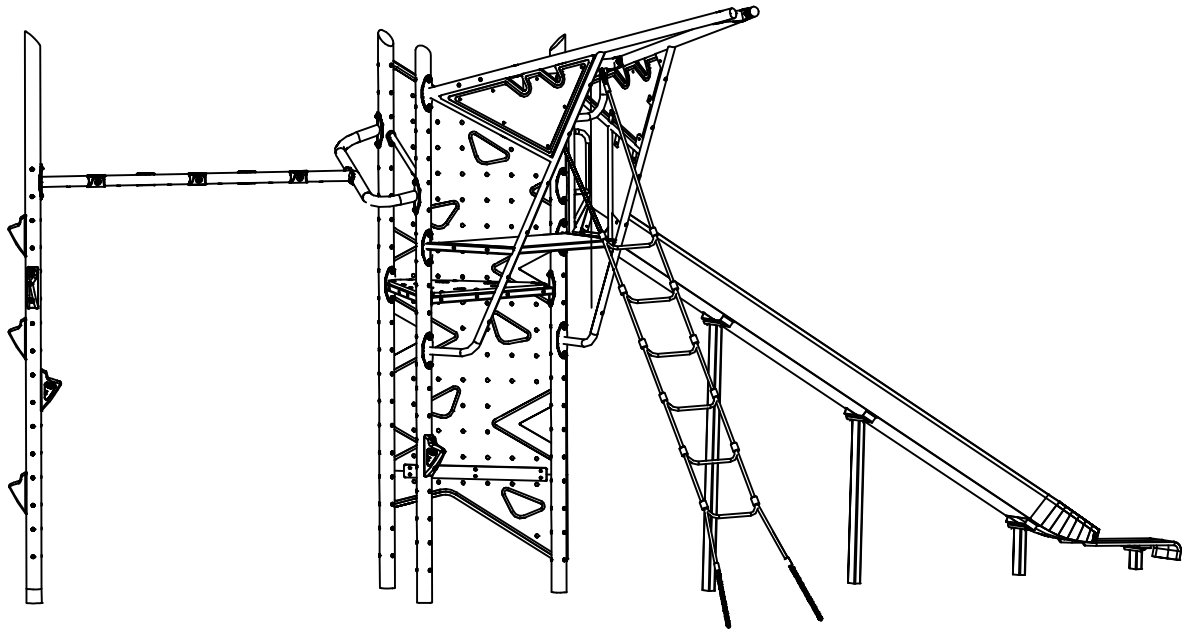
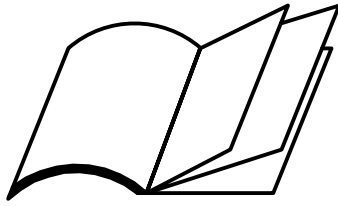


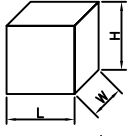
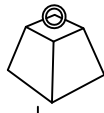
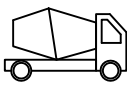
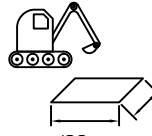
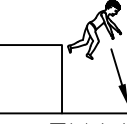

HAGS

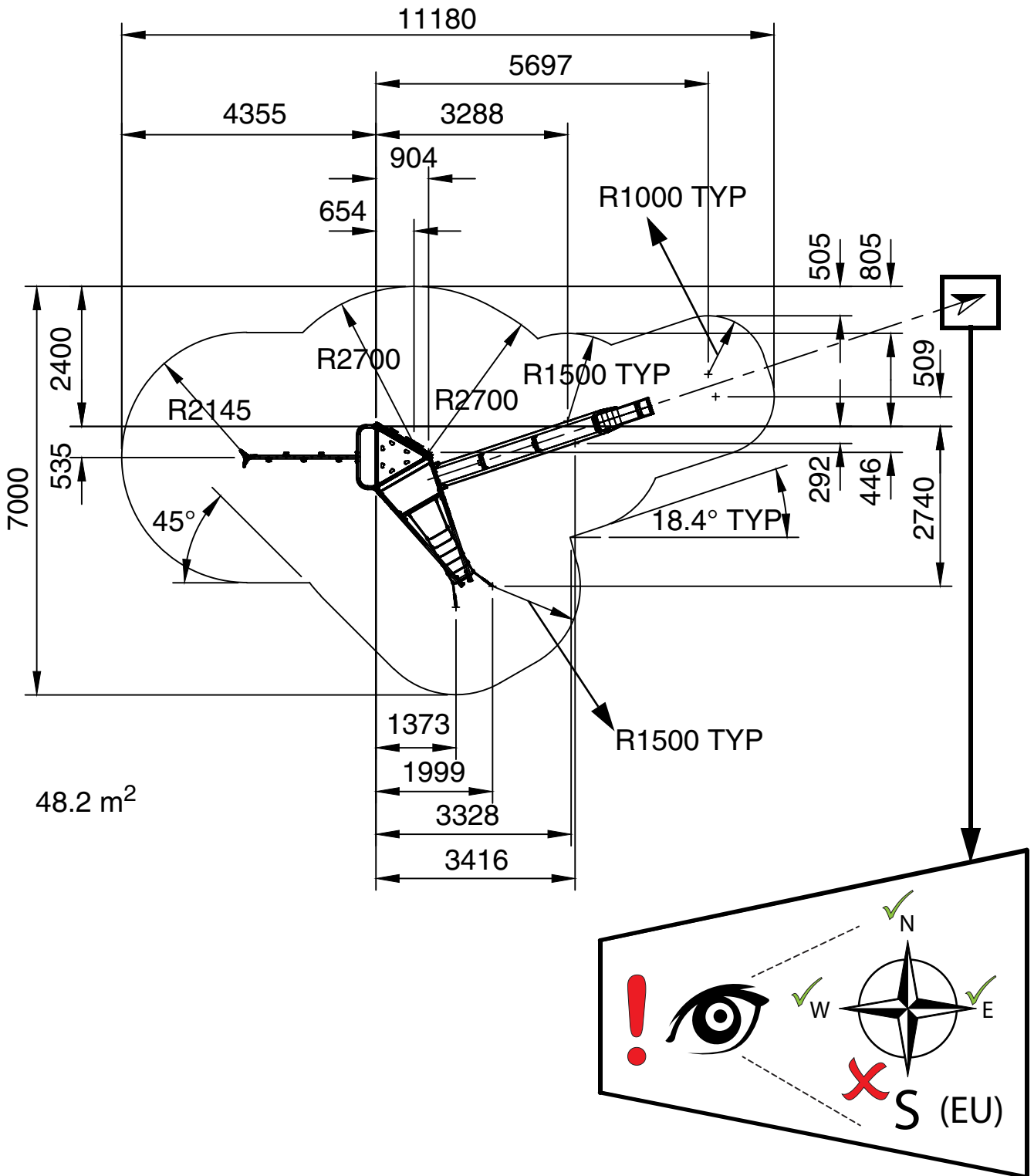
NEXUS ALTITUDE NXA-01S



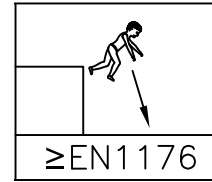


Section 1: 5

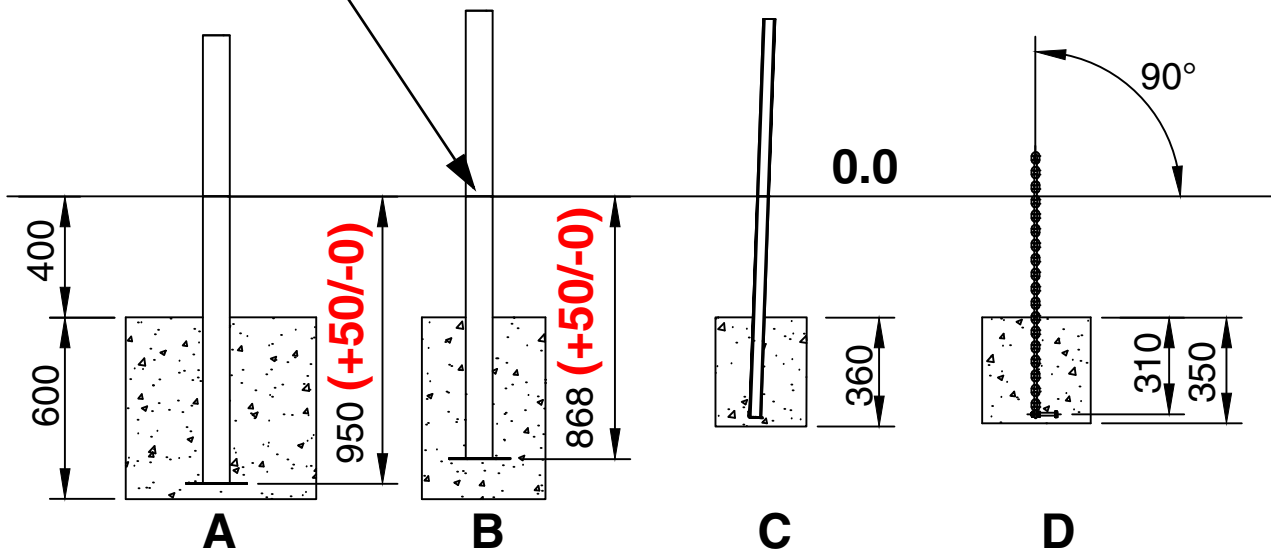
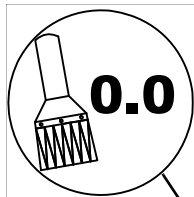
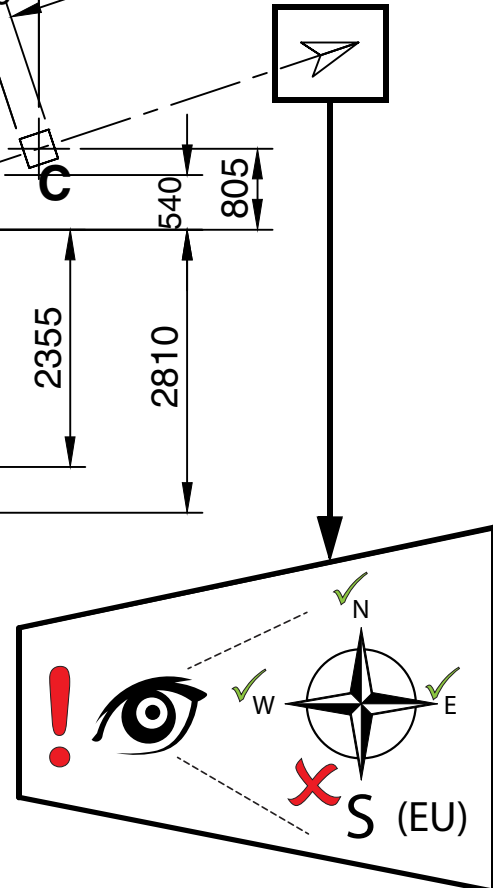
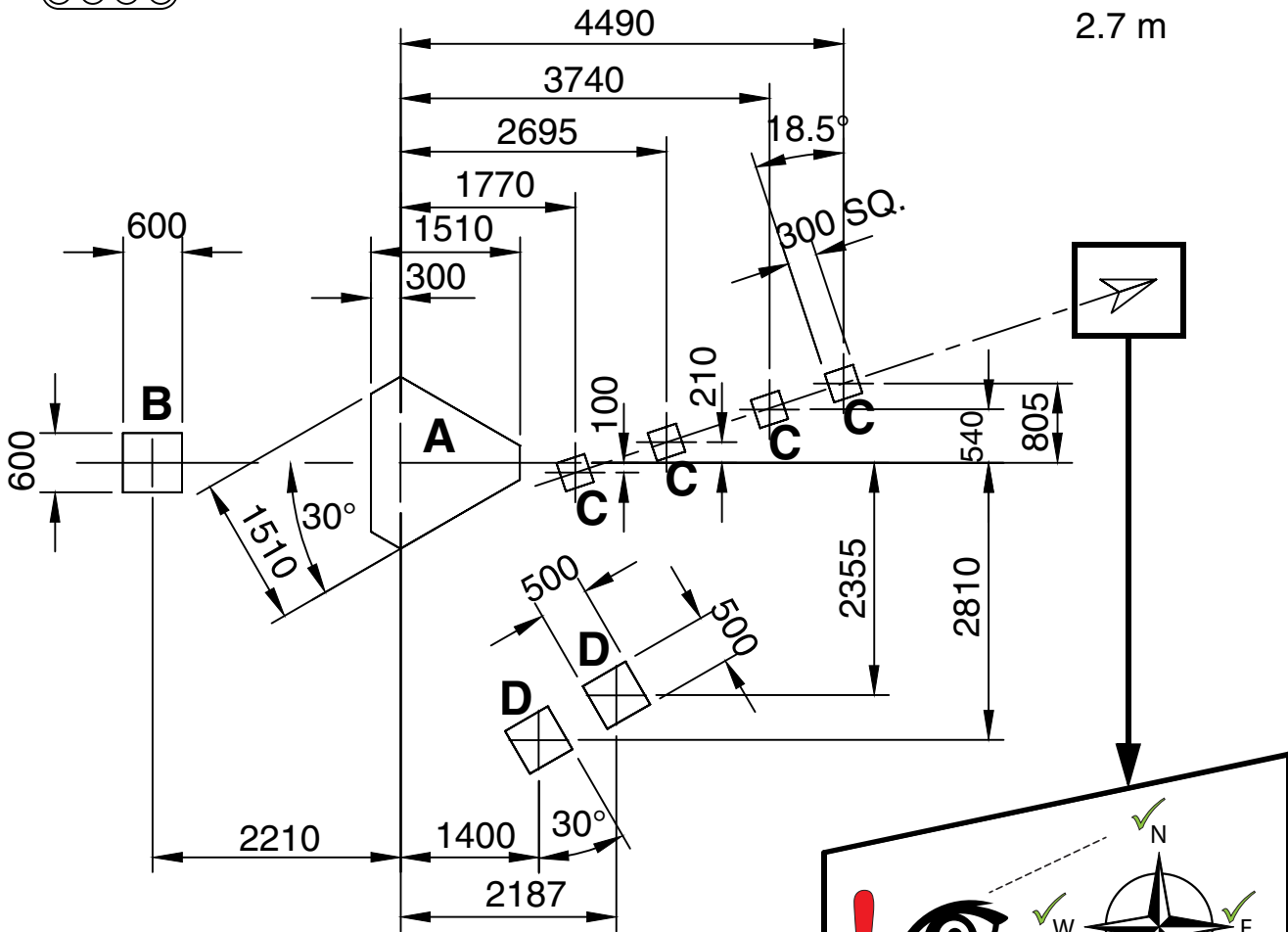
	 LxWxH (m)	 kg	 m ³	 m	 ≥EN1176	 x 3 = T T = 24h
NXA-01S	7.10 x 3.60 x 3.57	494.0	1.60	12.5 X 8.5	2.7m	T = 24h

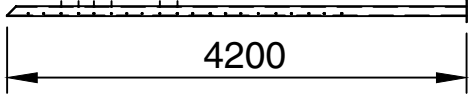
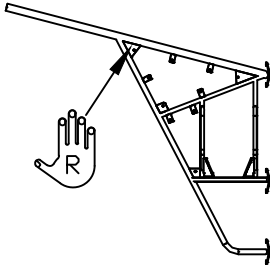
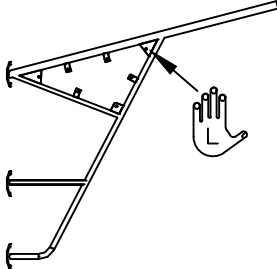
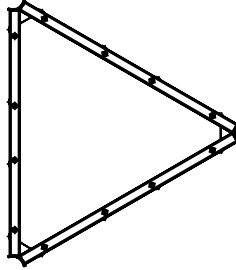
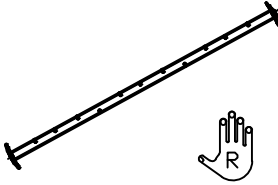
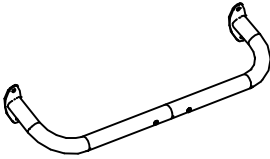


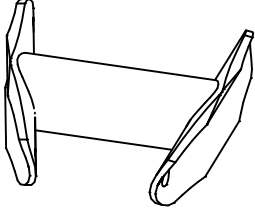
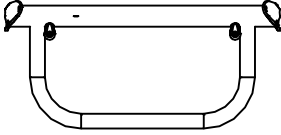
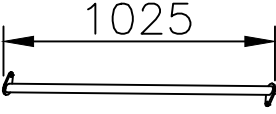
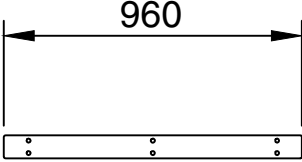
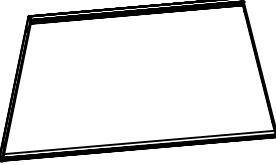
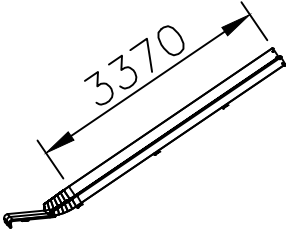


TYPE 1/2 & 3



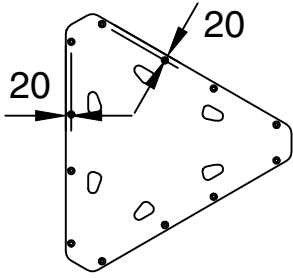
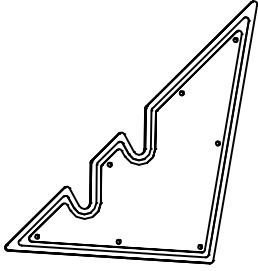
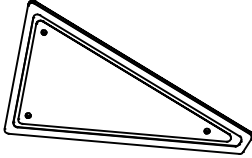
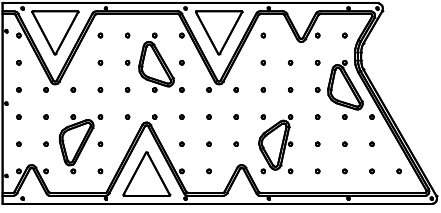
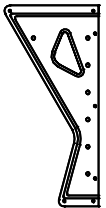


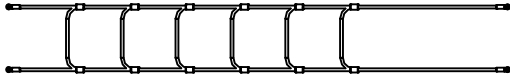
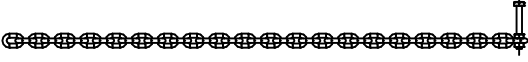
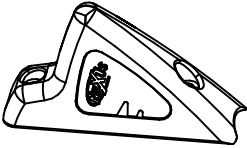
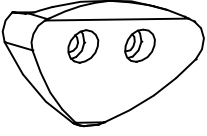
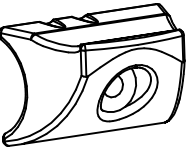
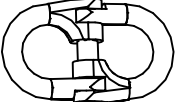
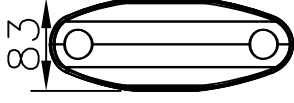
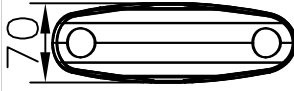
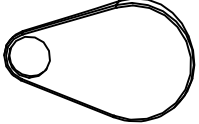

2.7 m

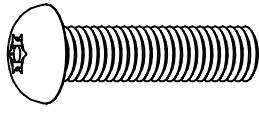
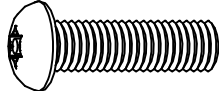
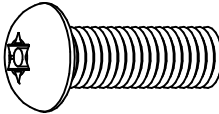
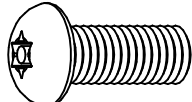
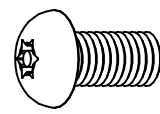
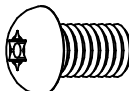
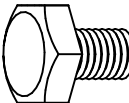

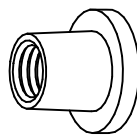


ITEM	REF	NXA-01S	QTY	kg
1	92003001		4	49.00
2	92003015		1	31.00
3	92003010		1	24.00
4	91010030		1	11.00
5	91061320		1	15.00
6	91050610		1	14.00

ITEM	REF	NXA-01S	QTY	kg
7	91070010		1	2.00
8	92003020		1	7.00
9	91050415		1	3.00
10	92003025		1	2.50
11	91070410		1	16.5
12	45032100		1	47.00
13	70032701		1	4.50
14	45039001		1	5.80

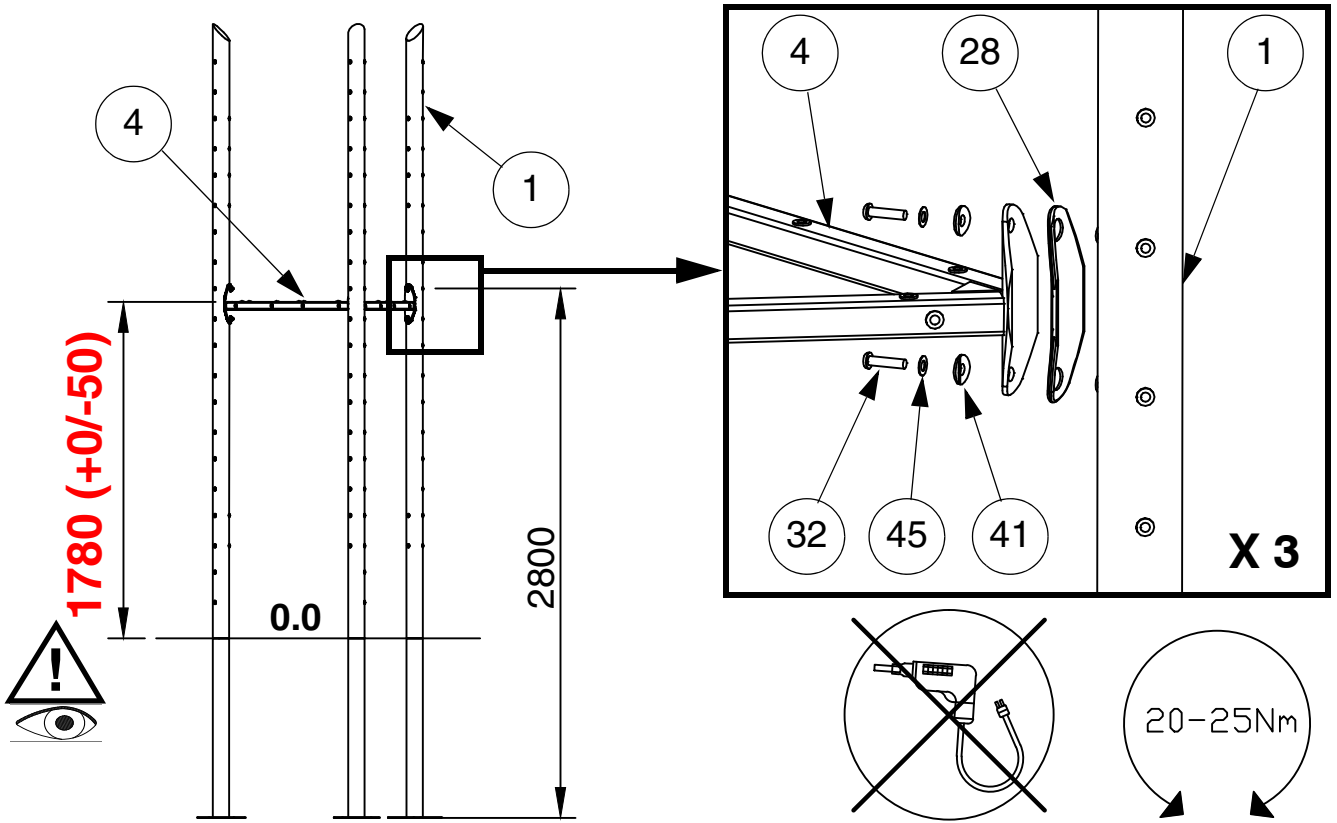
ITEM	REF	NXA-01S	QTY	kg
15	45039003		1	10.50
16	45039005		1	13.10
17	91010040		1	8.00
18	92002020		2	4.80
19	92002025		1	2.00
20	92002001		1	43.00
21	92002005		1	5.30

ITEM	REF	NXA-01S	QTY	kg
22	92006001		1	5.80
23	38008027		2	1.50
24	92004010		6	0.75
25	91070241		5	0.42
26	92004015		5	0.30
27	15715000		4	0.10
28	19023802		12	0.05
29	19023803		5	0.05
30	19025501		2	0.05
31	10121065	 M10 X 65	17	0.050

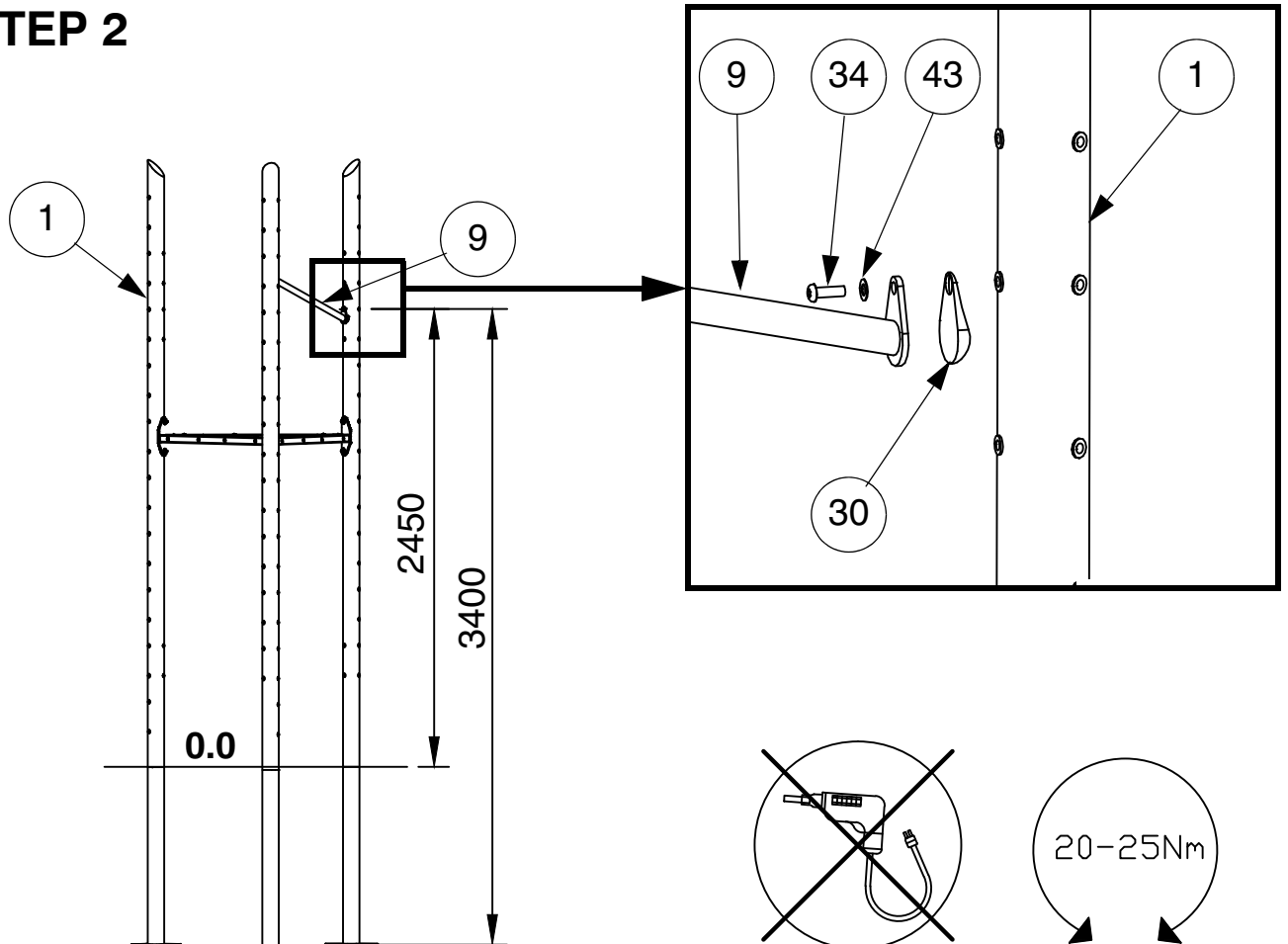
ITEM	REF	NXA-01S	QTY	kg
32	10121040	 M10 X 40	50	0.037
33	10121035	 M10 X 35	22	0.032
34	10121030	 M10 X 30	2	0.028
35	10121025	 M10 X 25	21	0.024
36	10121020	 M10 X 20	6	0.020
37	10120610	 M6 X 10	4	0.004
38	10251016	 M10 X 16	8	0.020
39	10260600	 M6	4	0.002
40	10931000	 M10	33	0.020

ITEM	REF	NXA-01S	QTY	kg
41	38001019	 M10 12X32X6.5	34	0.002
42	10309999	 M10 11X30X2.5	8	0.011
43	10291000	 M10 11X21X1	57	0.002
44	10301200	 M12 13X20X1	33	0.002
45	10301000	 M10 12X18X1	61	0.001
46	19024501		217	0.001
47	10121000	 T45 M10	2	-
48	10120600	 T30 M6	1	-

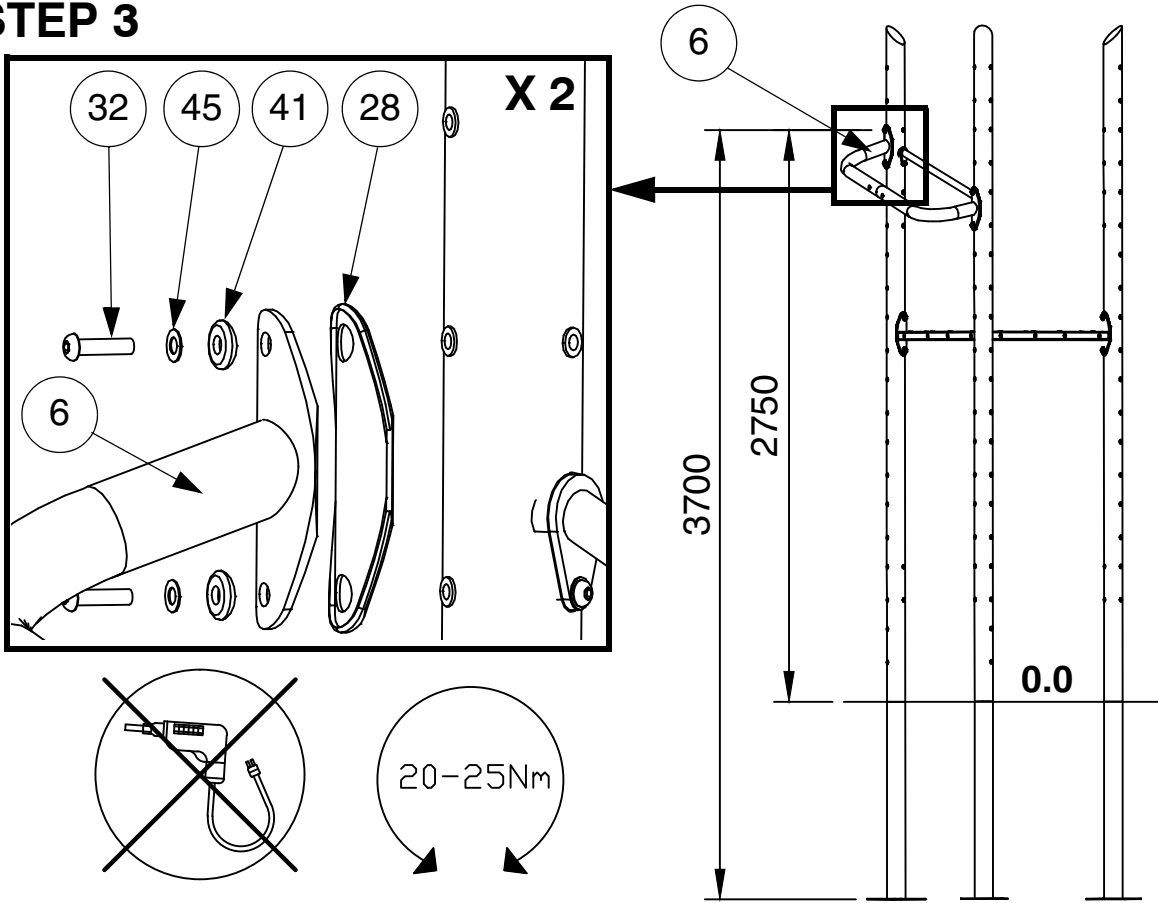
STEP 1



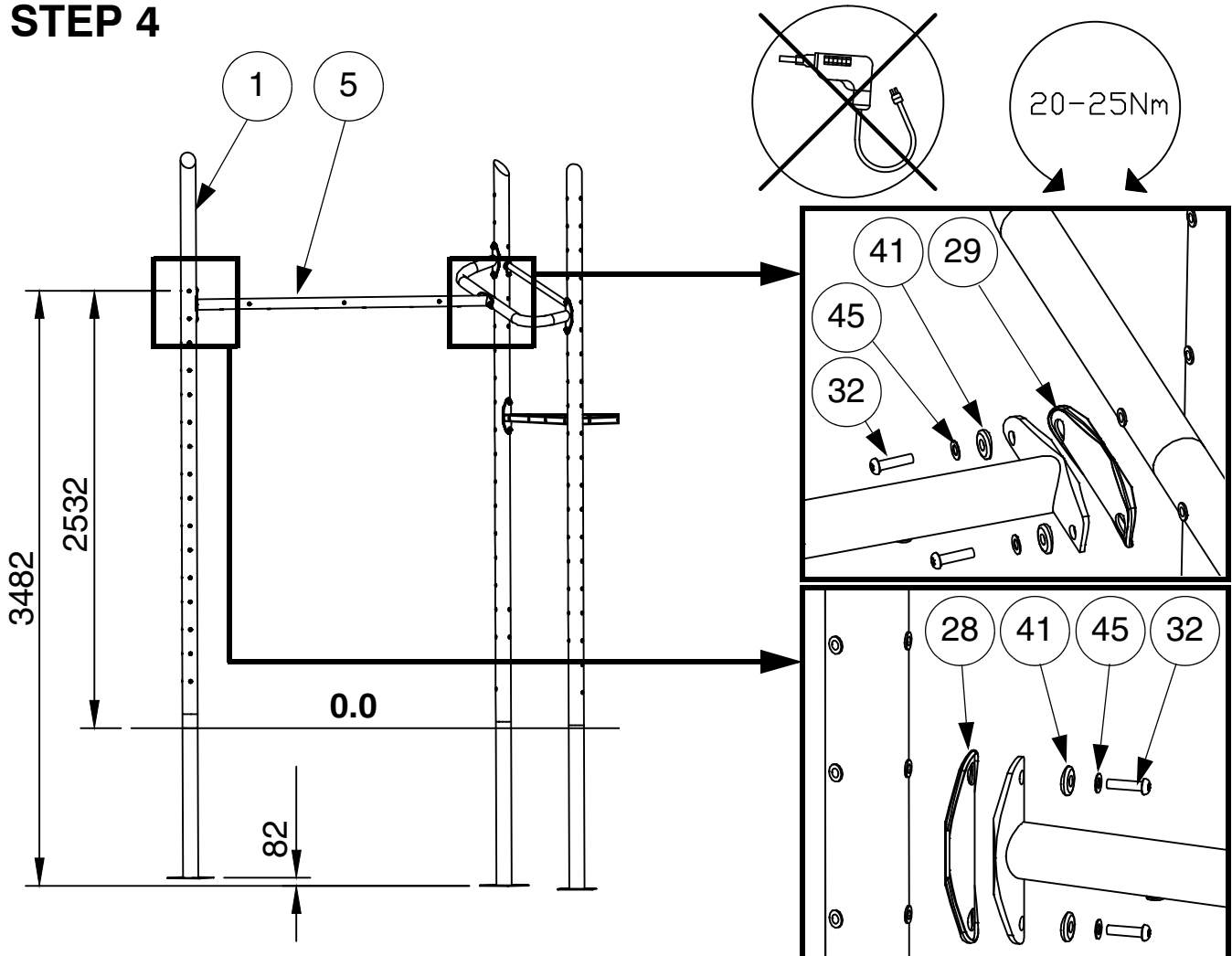
STEP 2



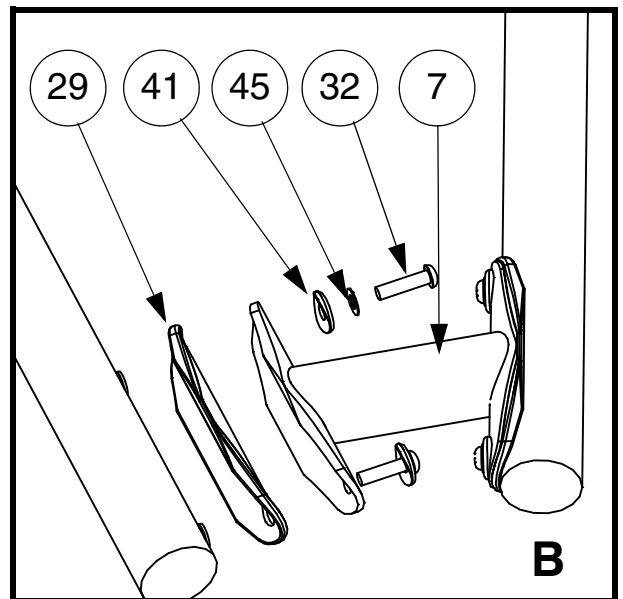
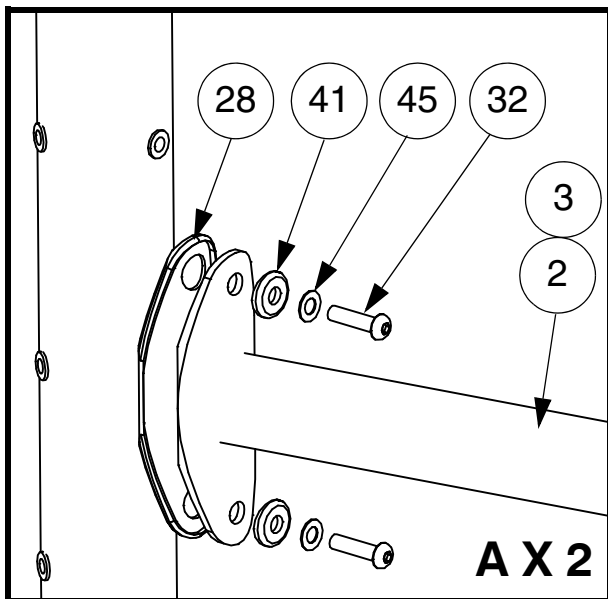
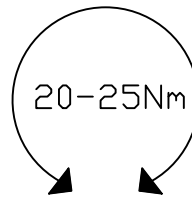
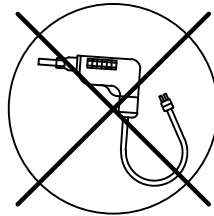
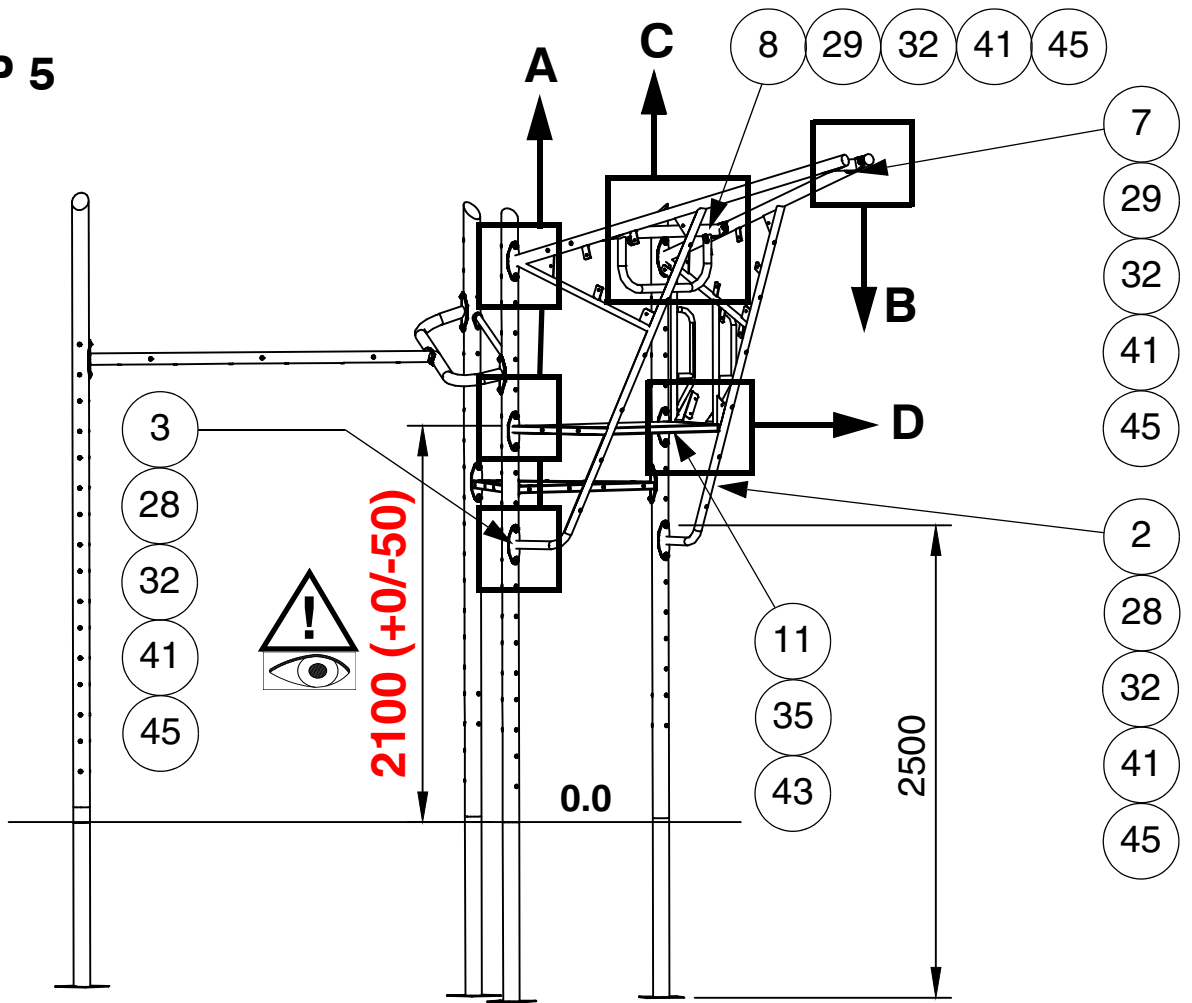
STEP 3

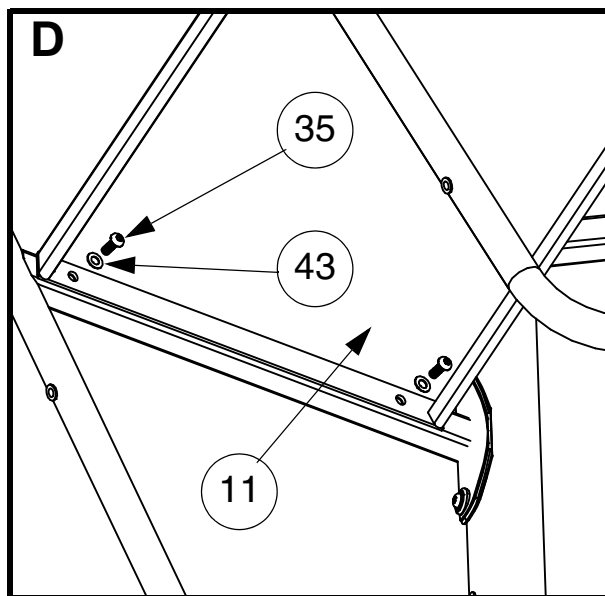
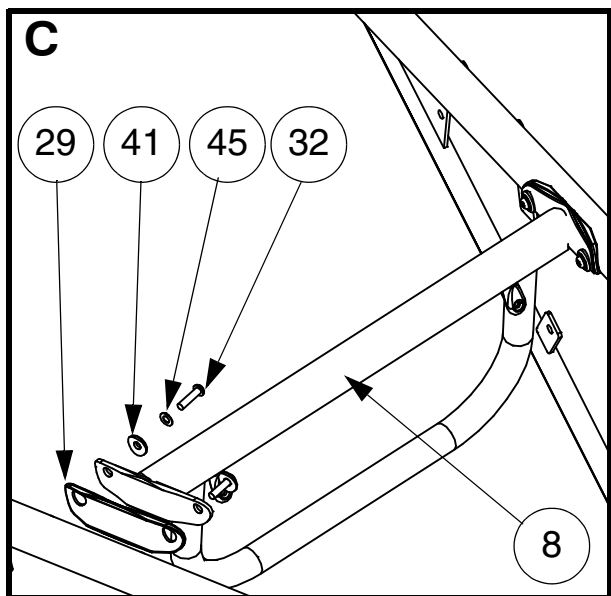


STEP 4

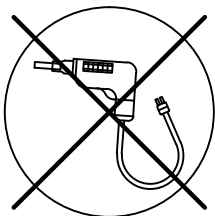
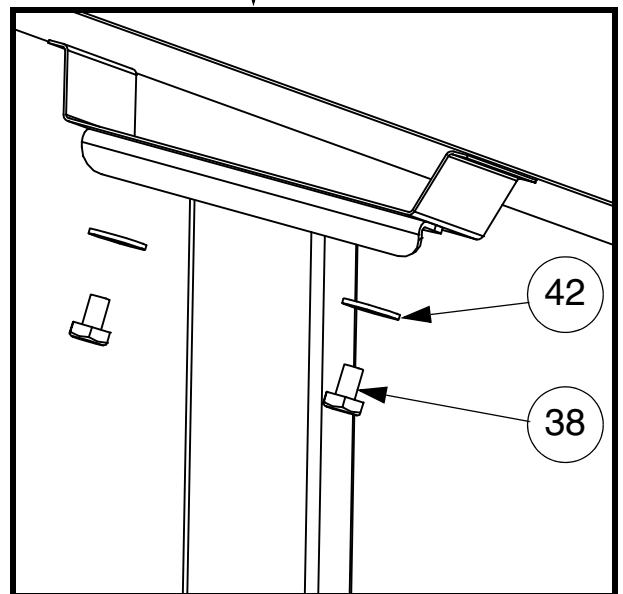
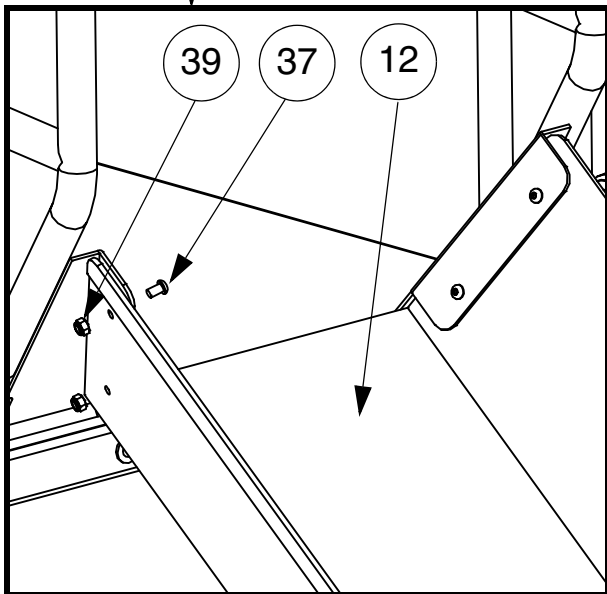
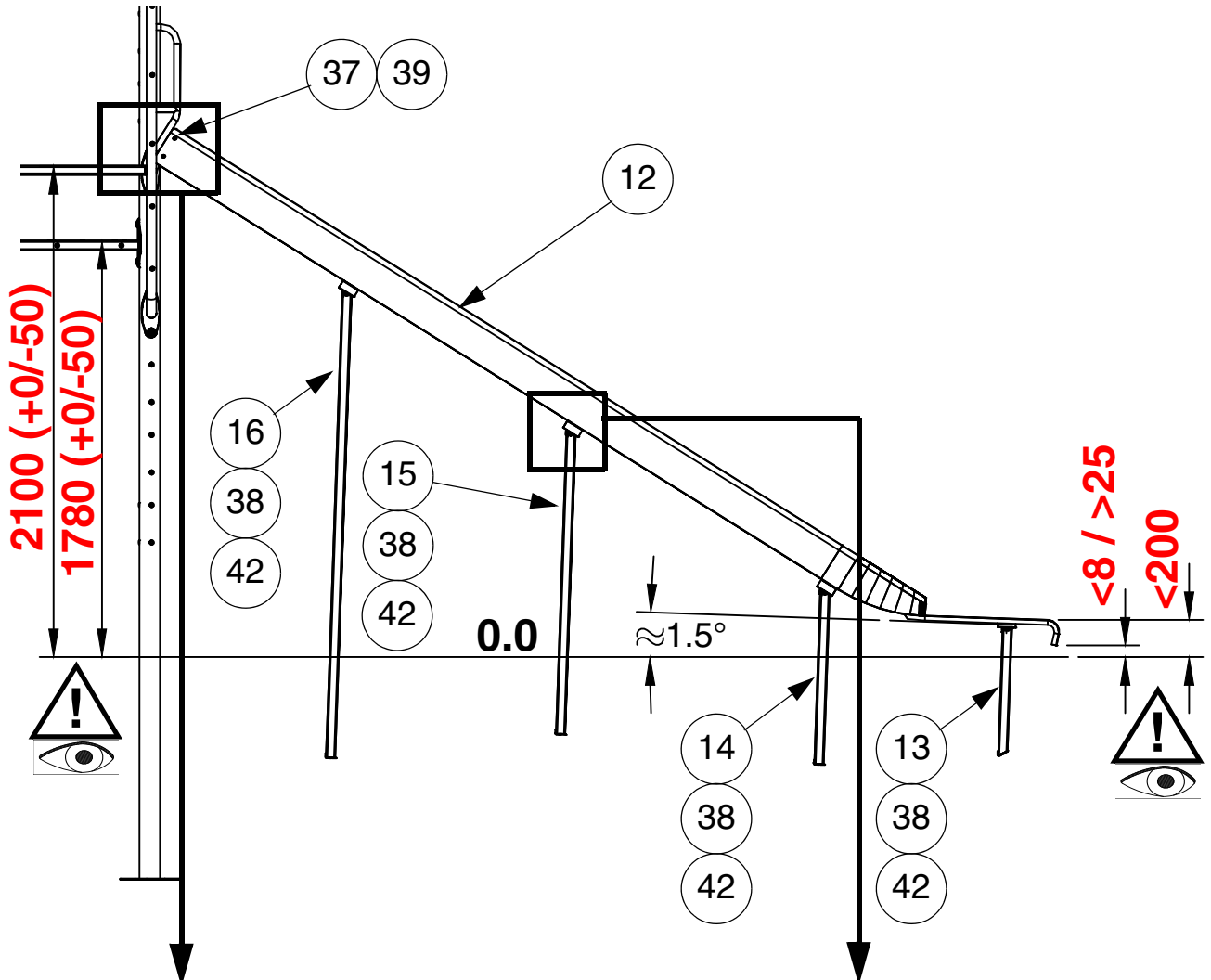


STEP 5



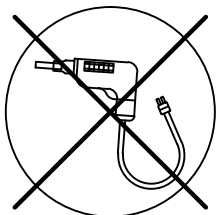
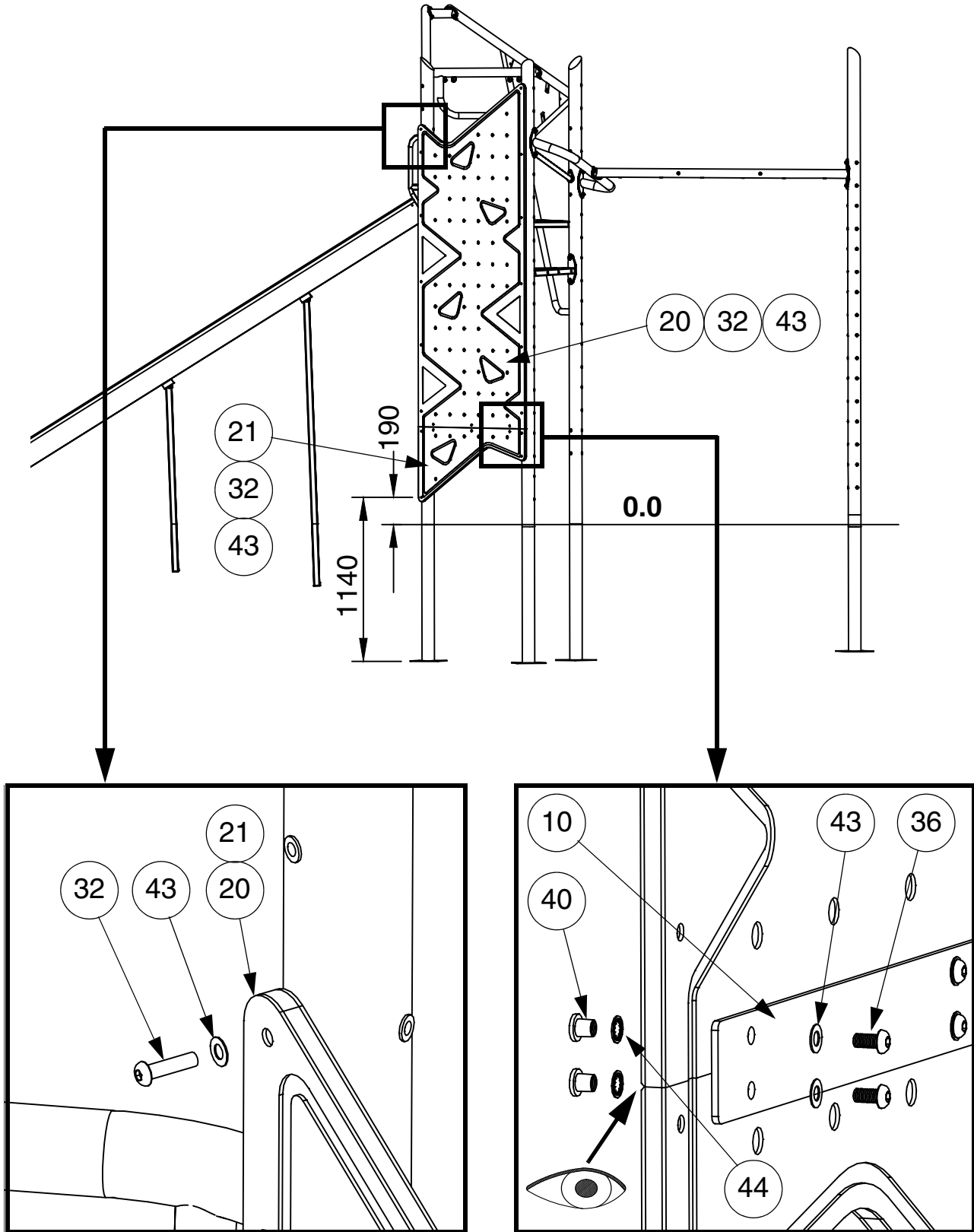


STEP 6

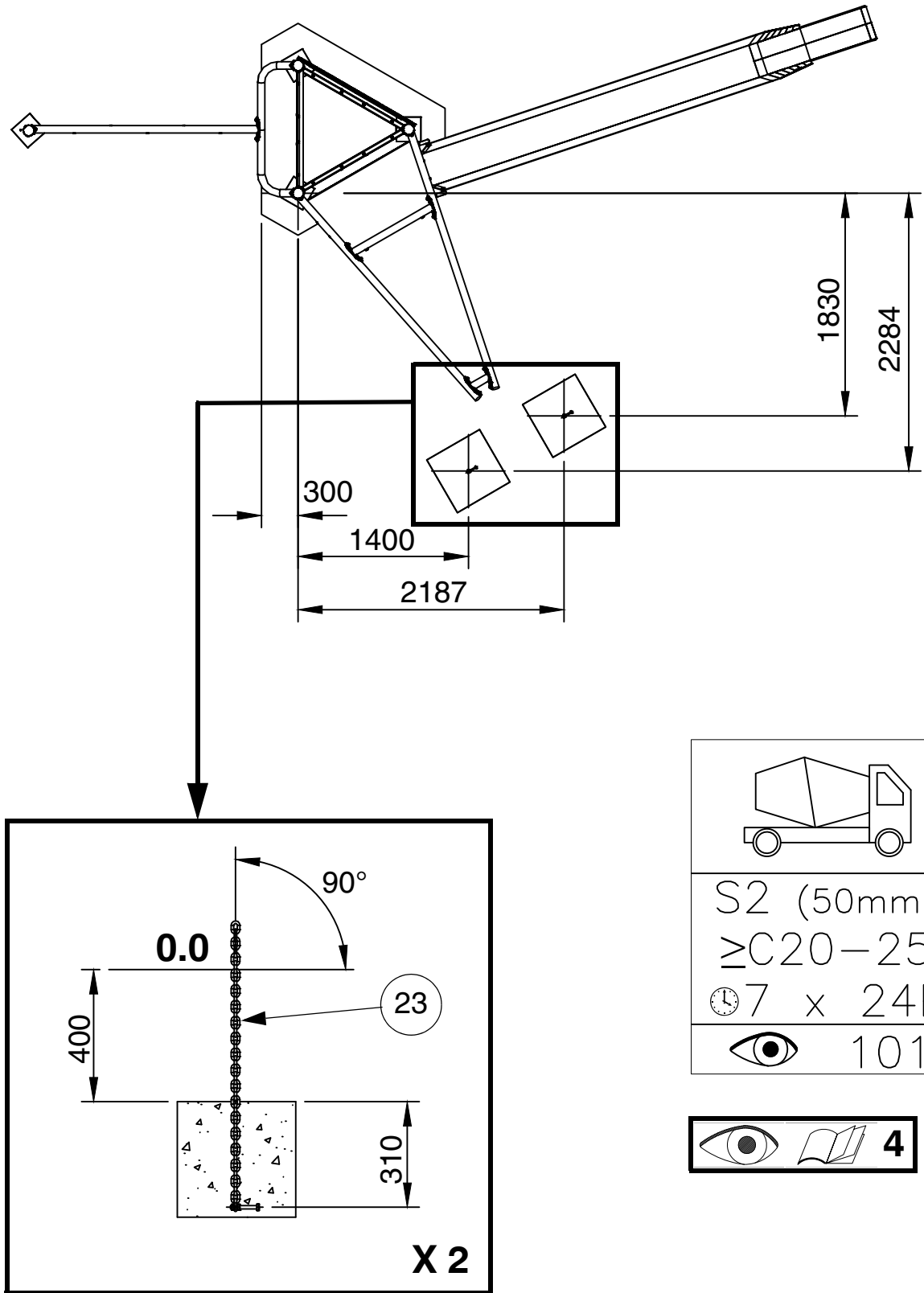


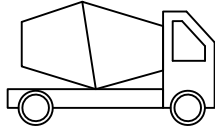


20-25Nm

STEP 7



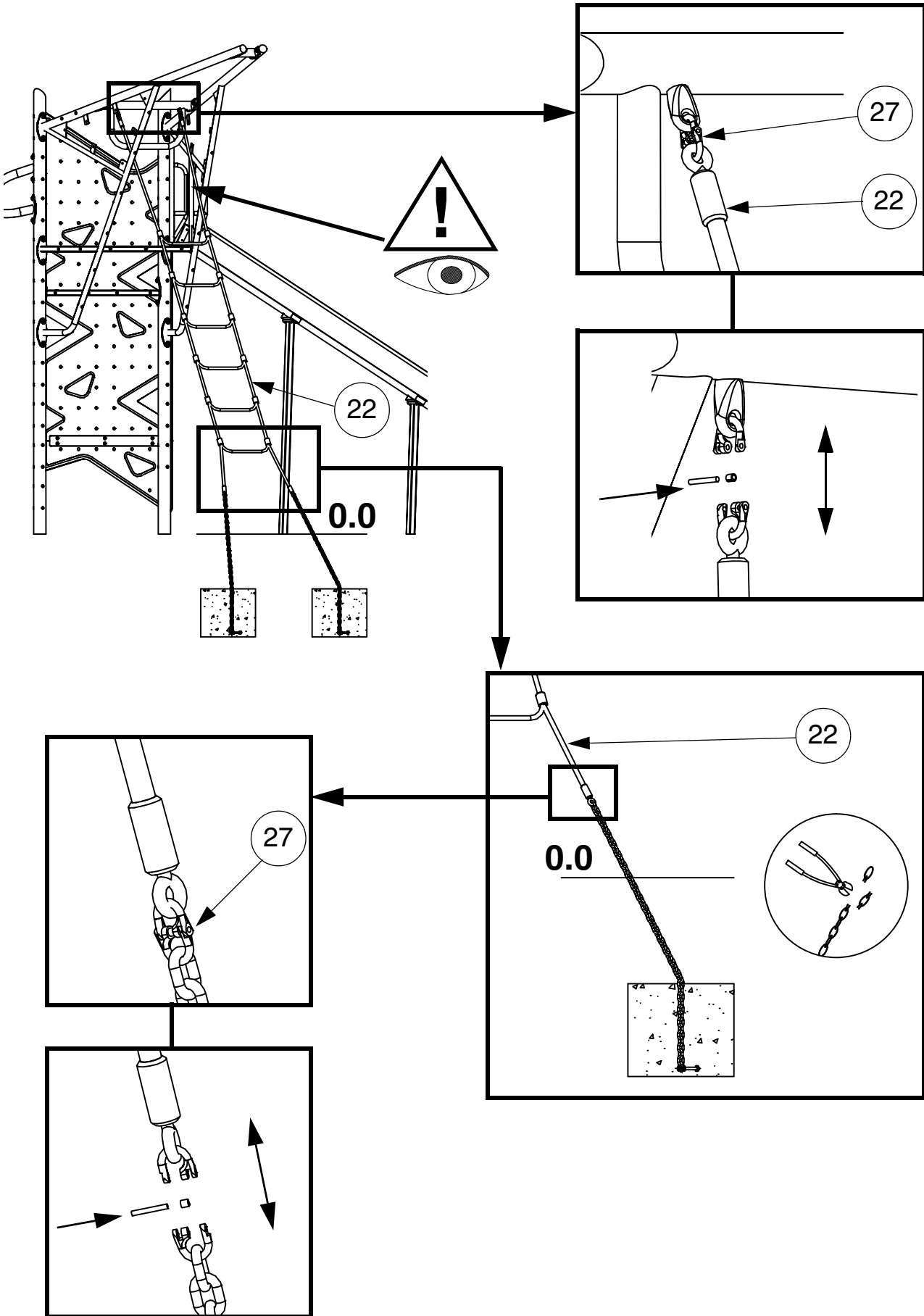
STEP 8



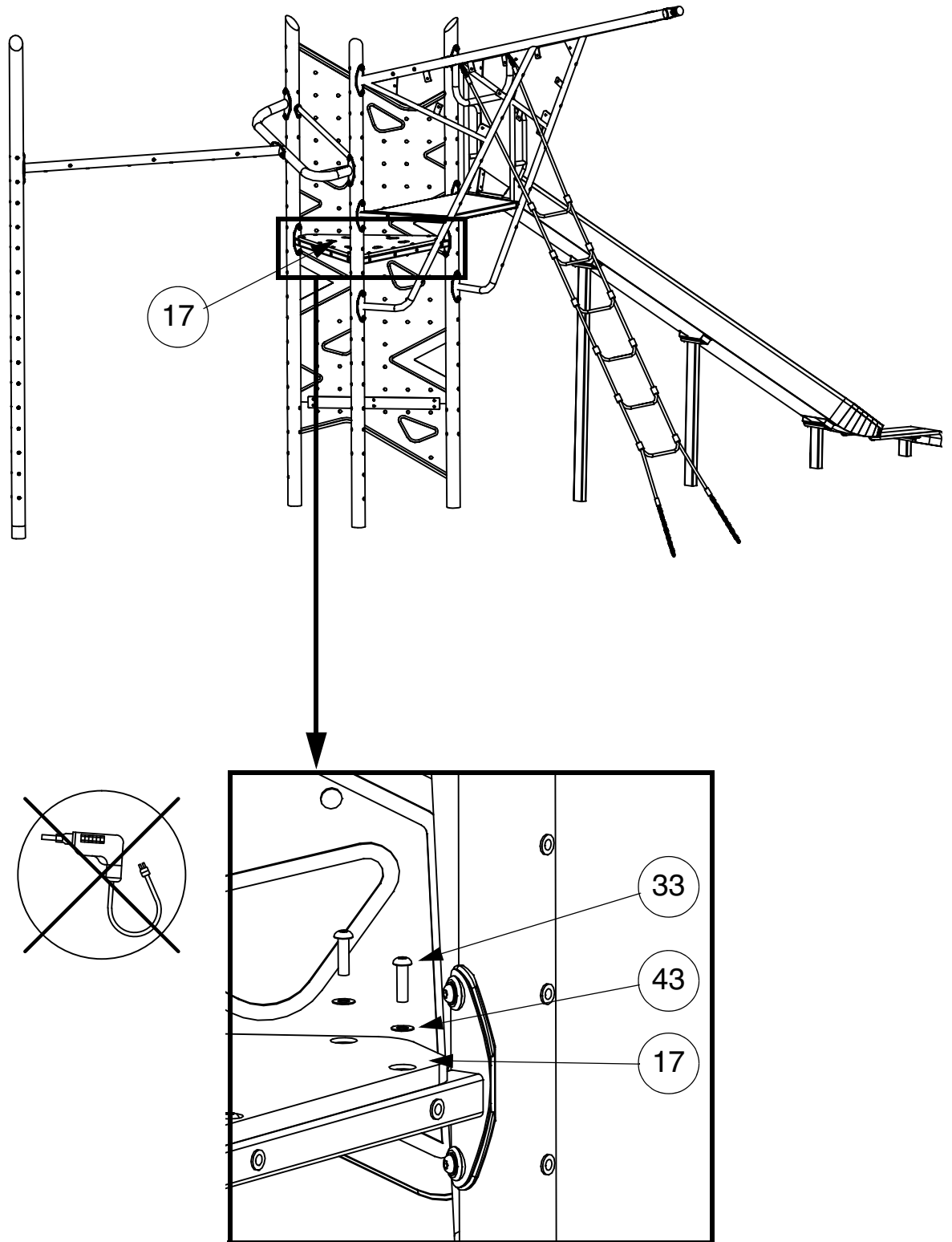
	
S2 (50mm)	
≥C20-25	
	7 x 24h
	101

		4
---	---	----------

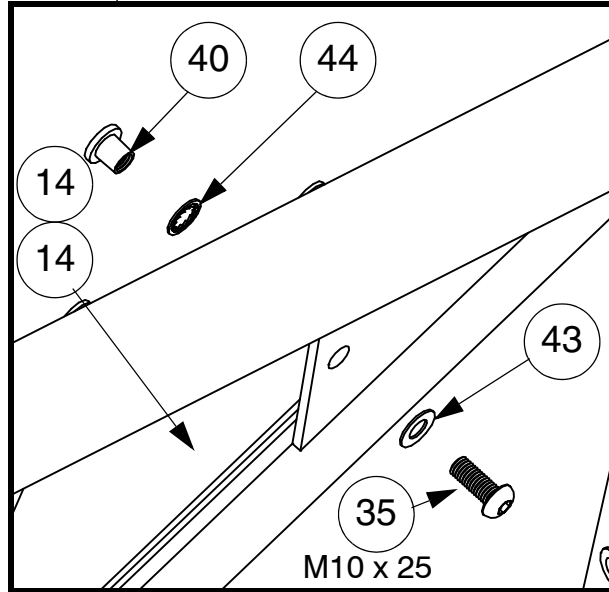
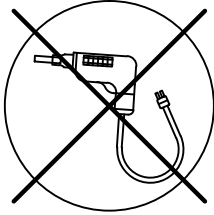
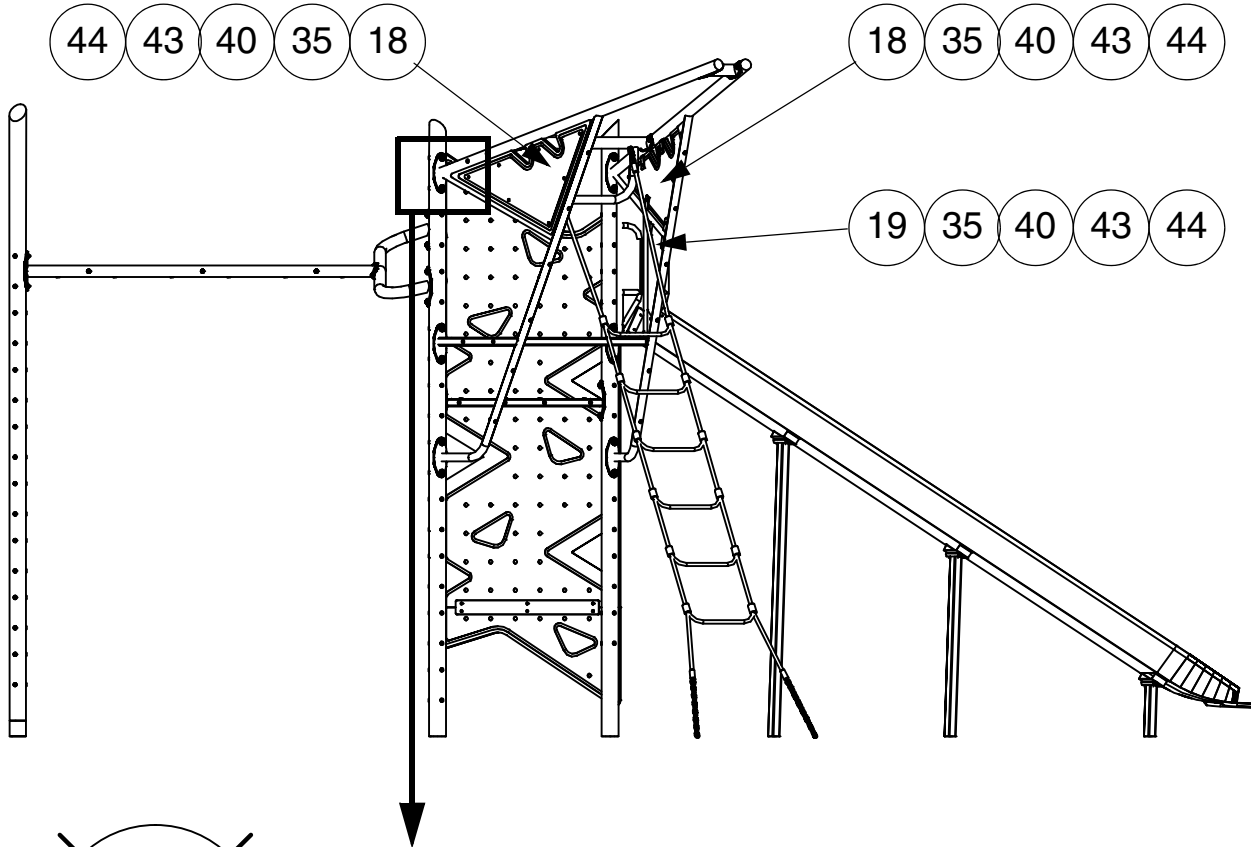
STEP 9



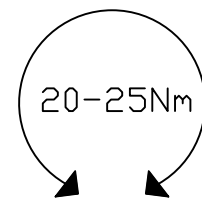
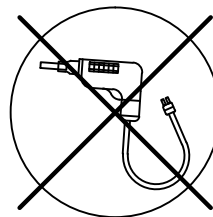
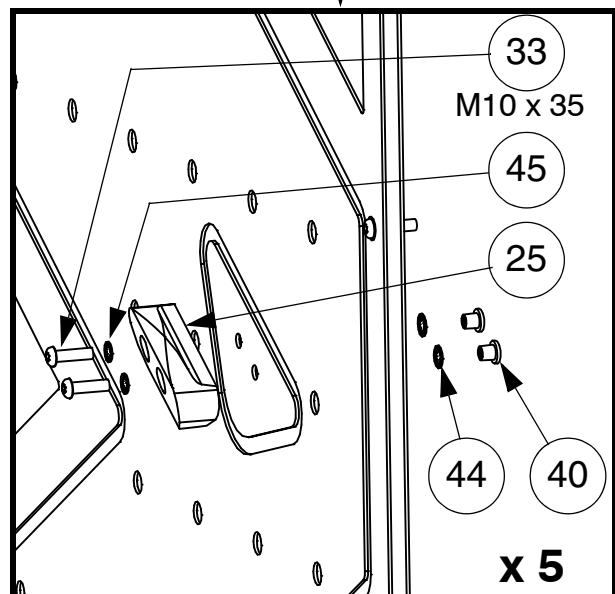
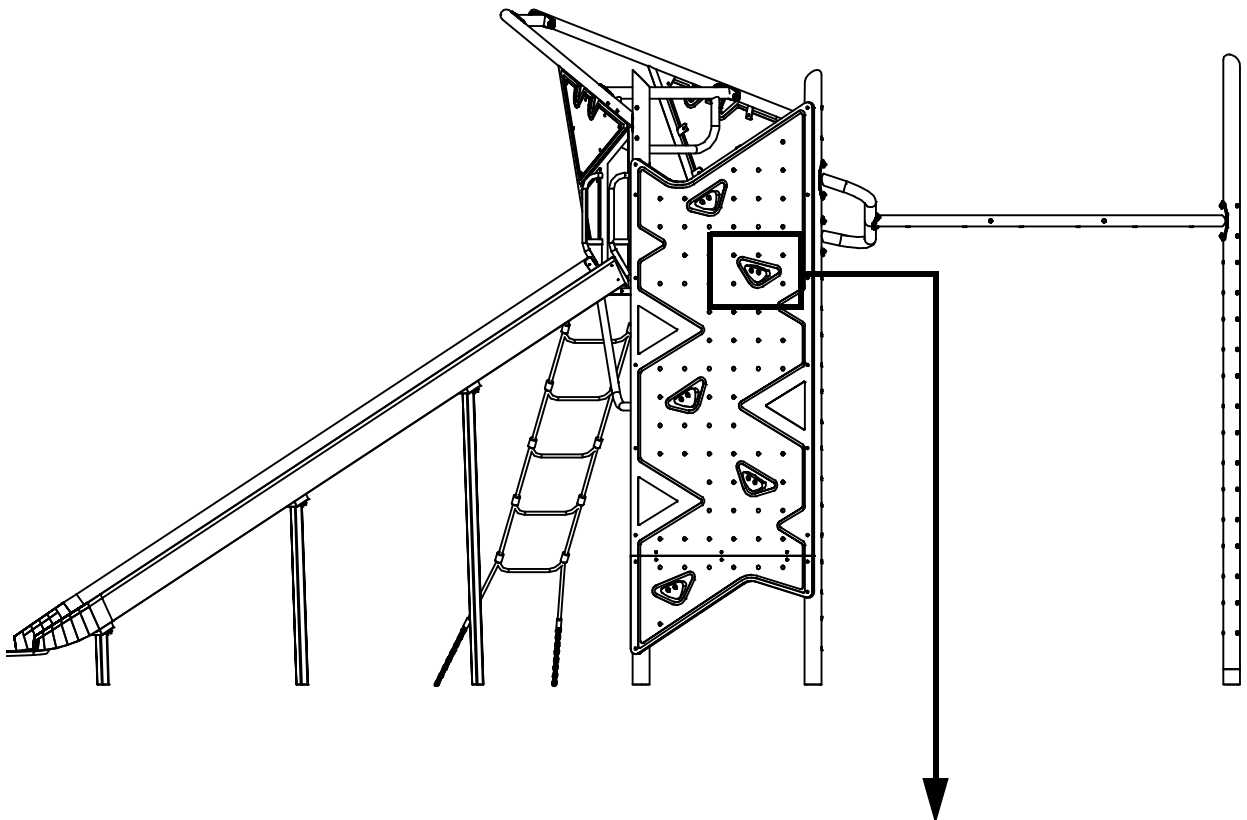
STEP 10



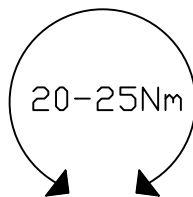
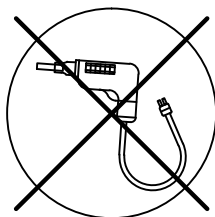
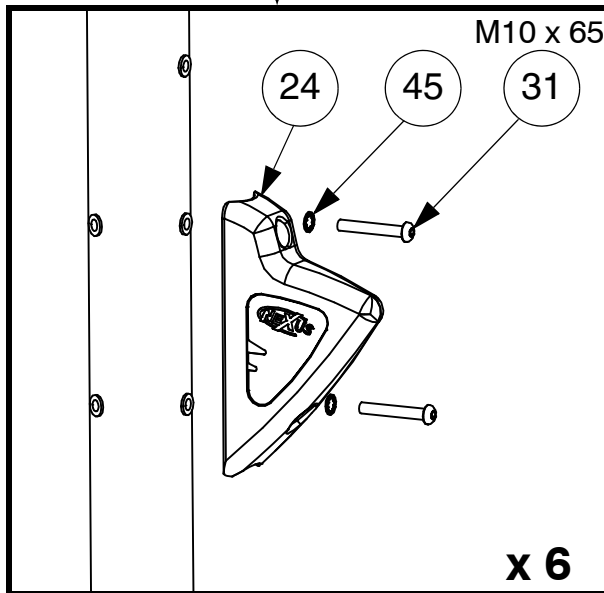
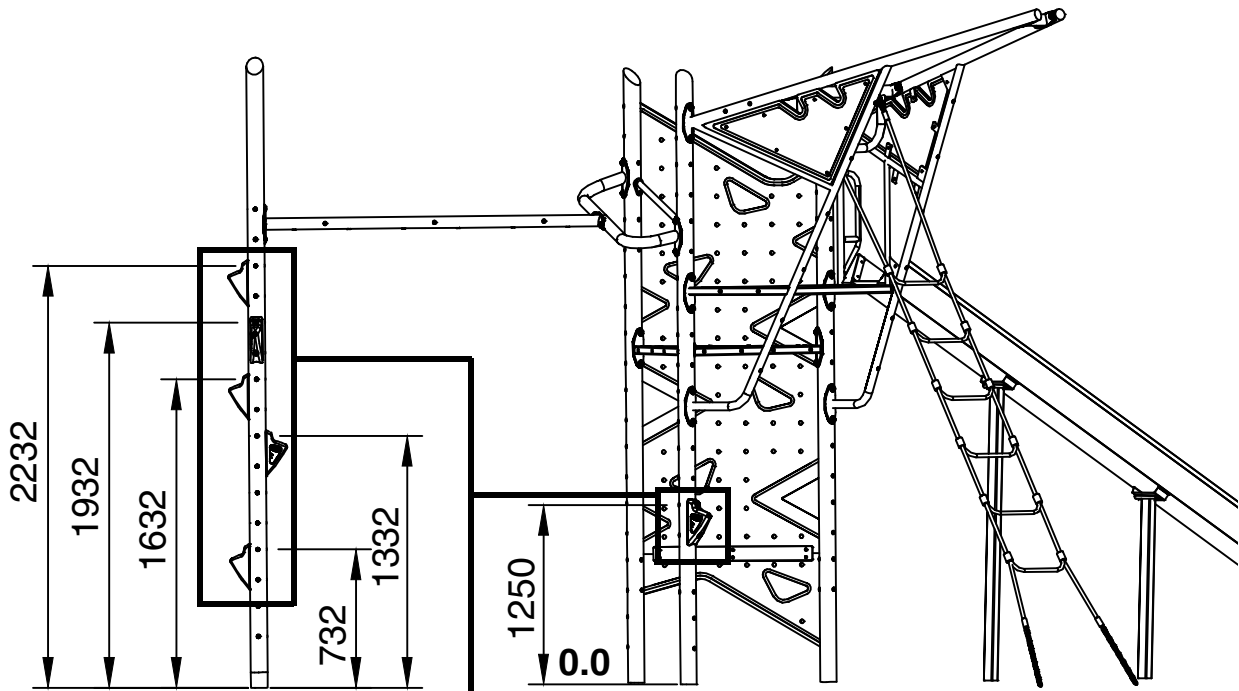
STEP 11



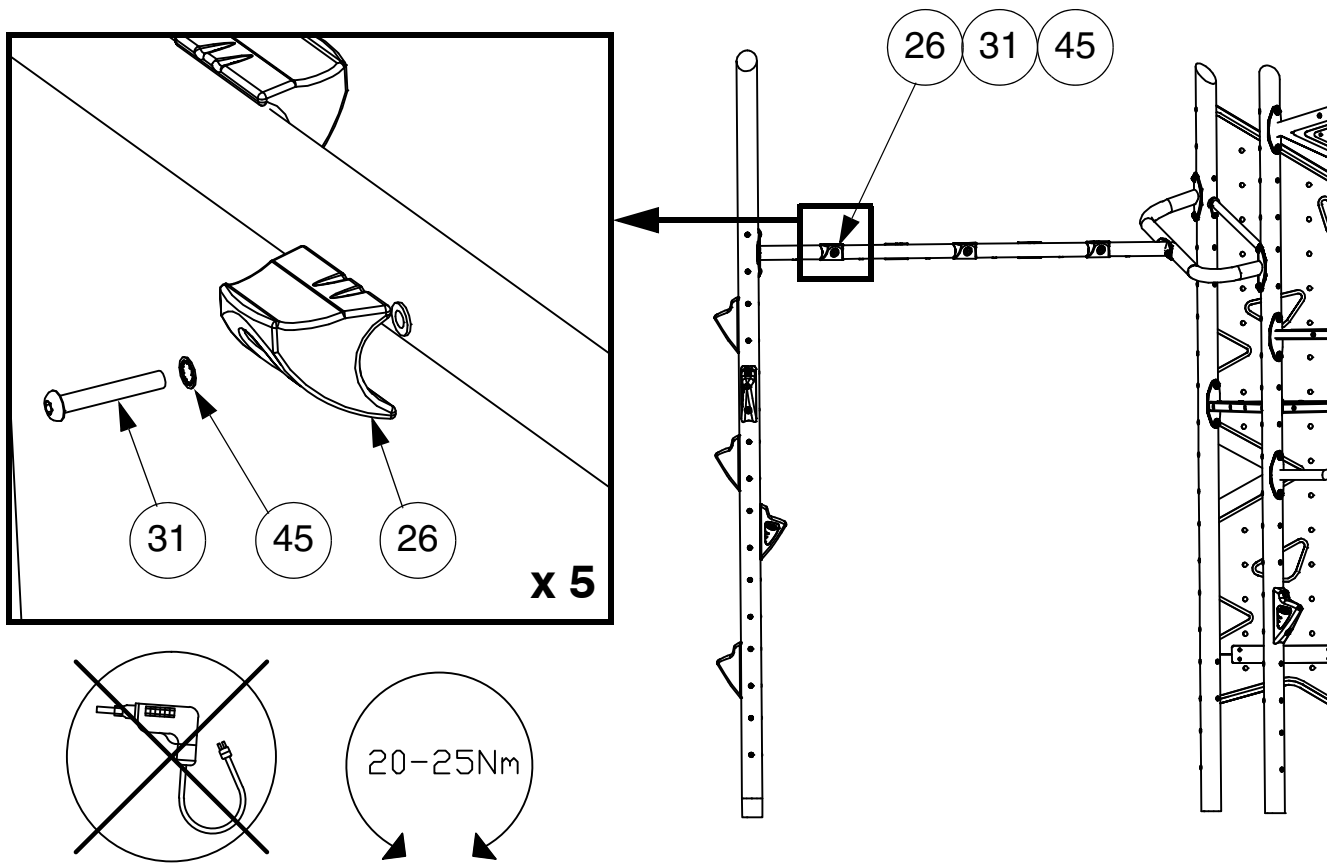
STEP 12



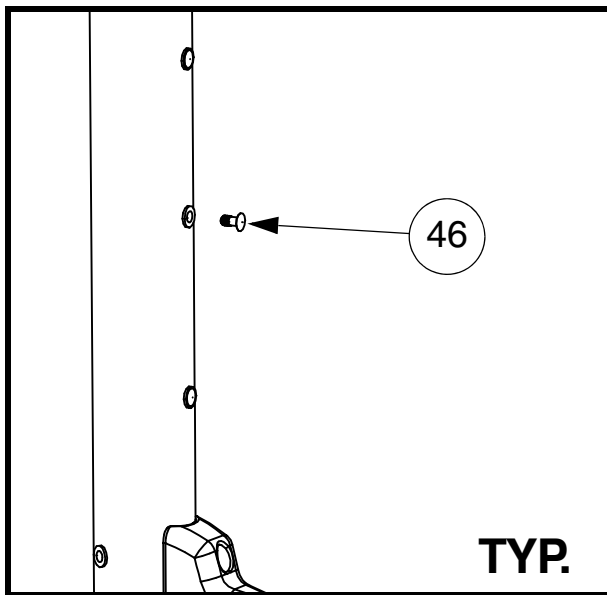
STEP 13

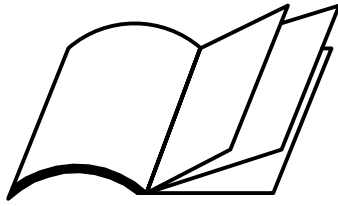


STEP 14

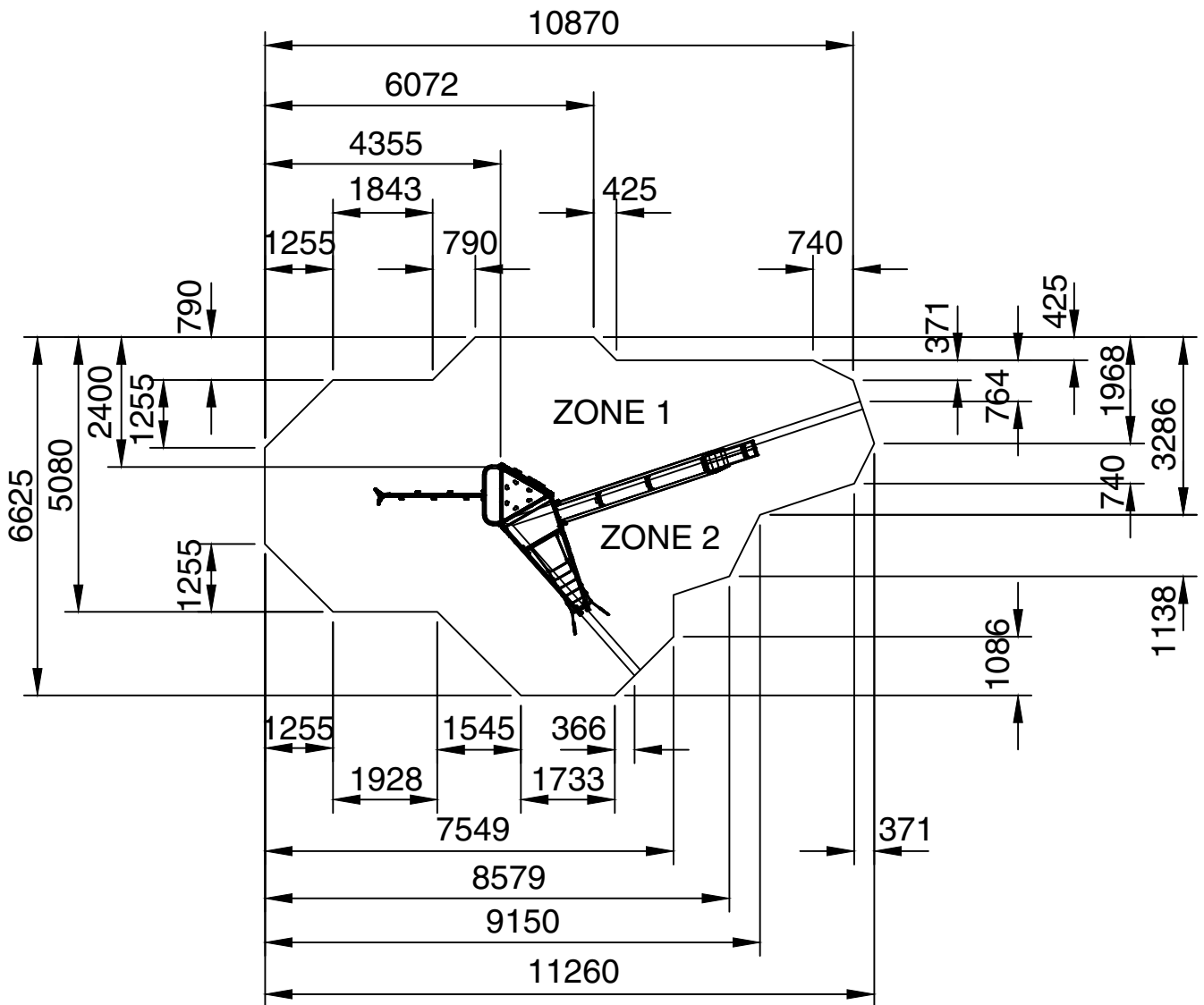


STEP 15





Appendix A:

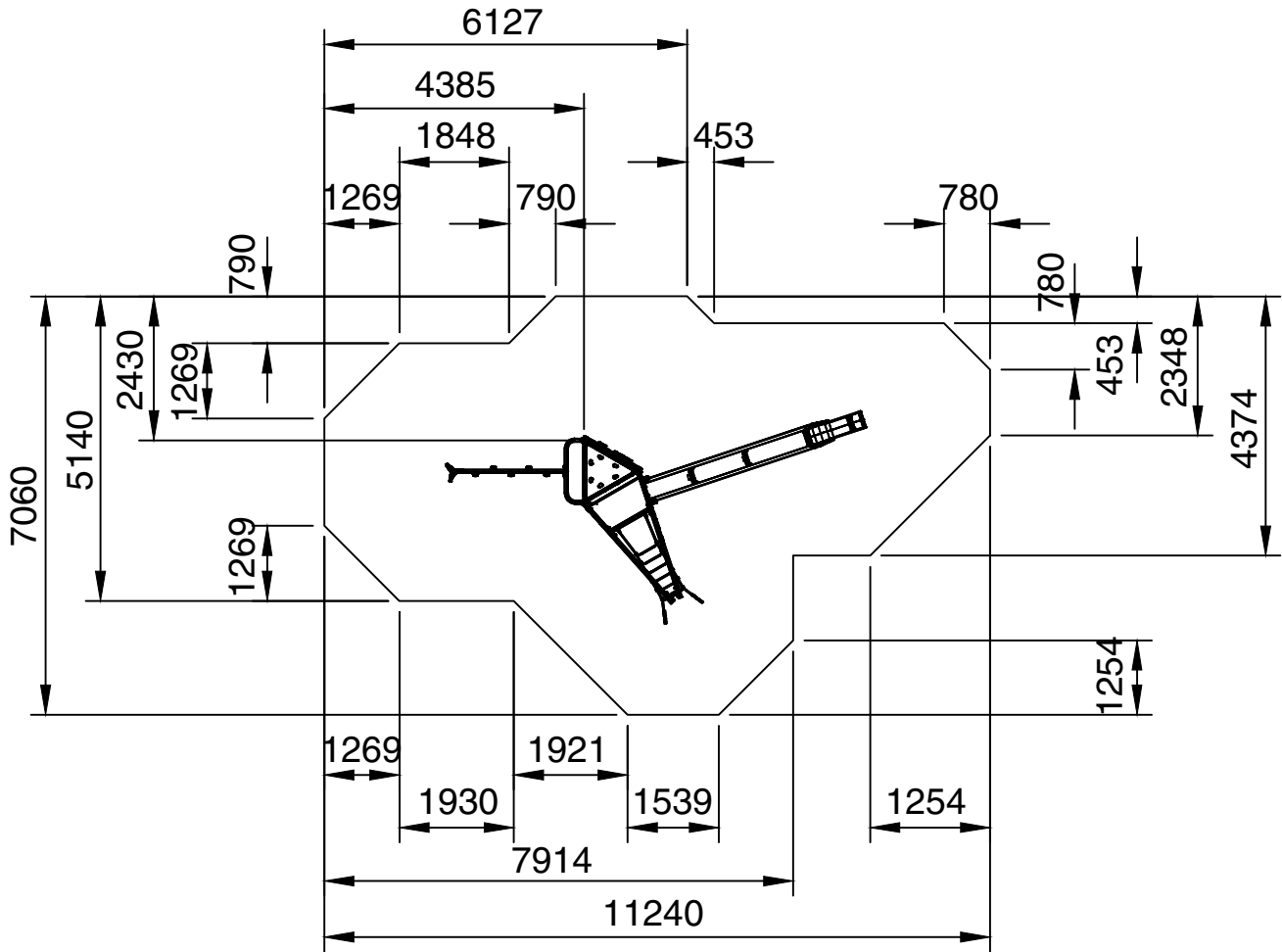


ZONE 1 FREEFALL HEIGHT = 2.7M

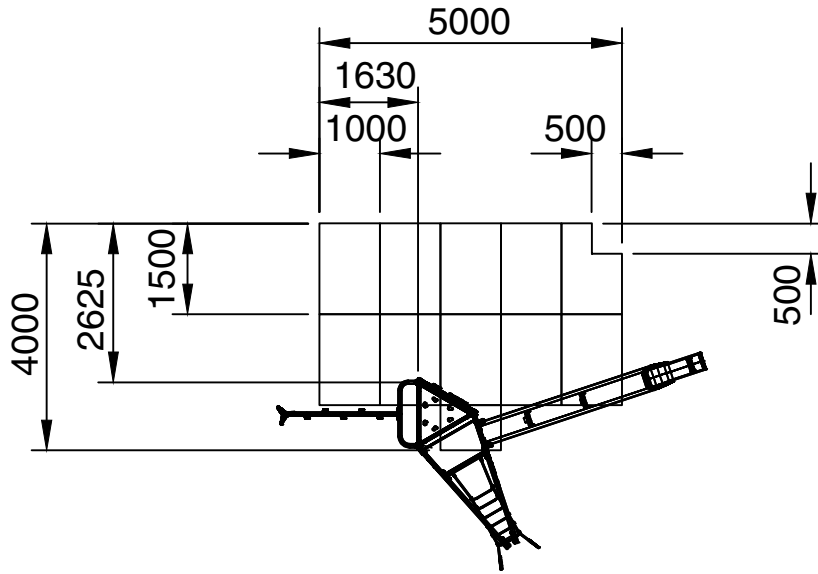
ZONE 2 FREEFALL HEIGHT = 2.2M

TYPE 3 SYNTHETIC

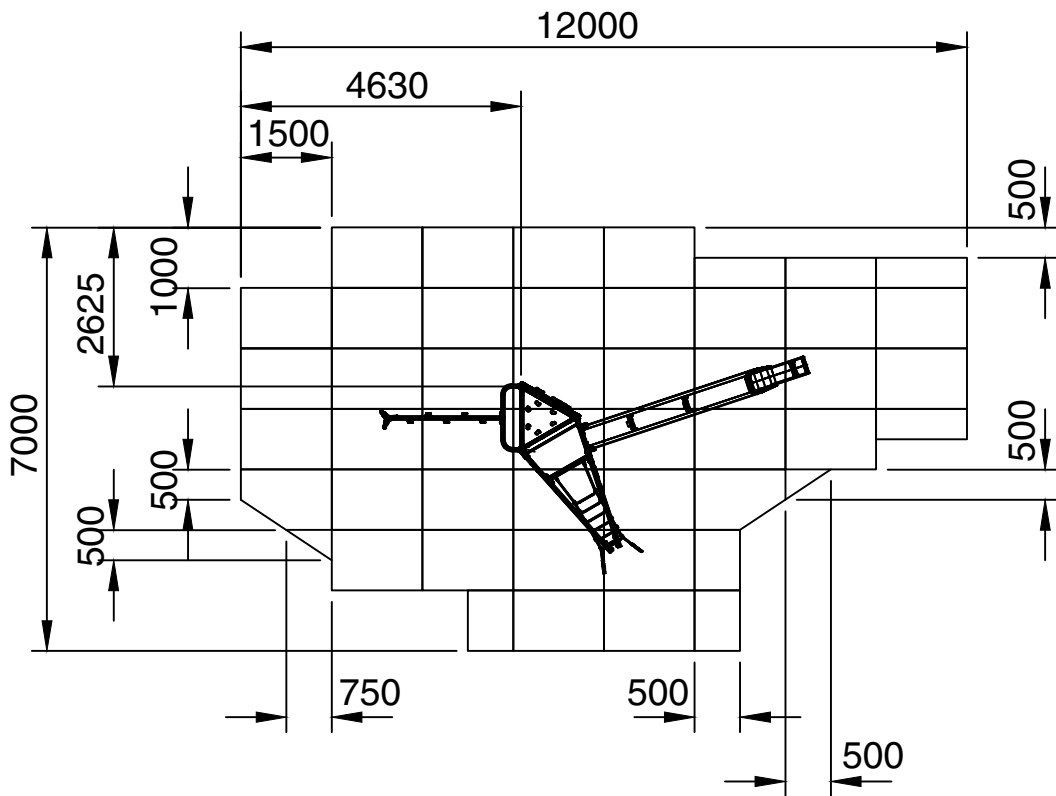




TYPE 1/2 LOOSEFILL  144



BASE LAYER



SECOND LAYER

TYPE 5 GRASSMATT FR  144

